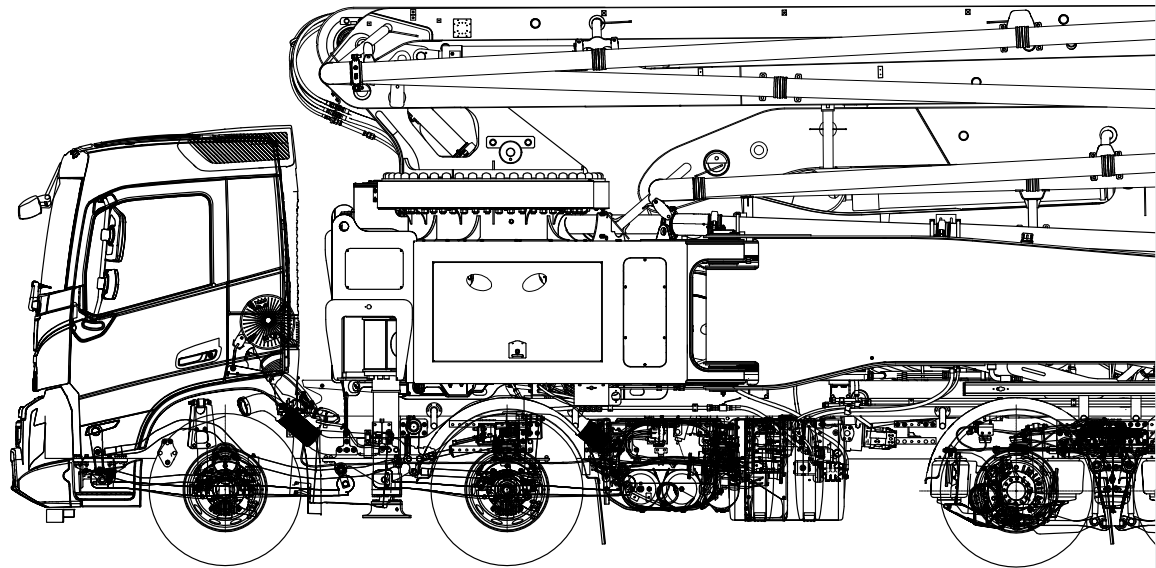


SANY

Vertical Reach: 56.0m



SYG5450THB 560C-10(SZ-RU) TRUCK-MOUNTED CONCRETE PUMP

Energy-saving

Pump efficiency is increased up to 25% while fuel consumption is decreased by up to 10%.

Highly Wear Resistant Parts

The highly wear resistant parts improve efficiency and reduce down time.

Safety

Our C10 series truck mounted concrete pump exemplifies Sany's precise, rigorous manufacturing philosophy and uncompromising focus on safety.

Self-diagnosis Technology

Continually monitors more than 200 aspects of the system during operation. Faults are displayed on the monitor. Review of the detected faults can reduce troubleshooting time by 70%.

SANY HEAVY INDUSTRY CO., LTD.

SANY Industry Town, Changsha Economic and Technological Development Zone,
Hunan Province, China
Service Line: +86 4006 098 318 E-mail: crd@sany.com.cn

SANY[®]
QUALITY CHANGES THE WORLD.

TECHNICAL SPECIFICATION

Model		SYG5450THB 560C-10(SZ-RU)	
X-unit Specification	Length(mm)	12050	
	Width(mm)	2550	
	Height(mm)	3750	
	Dead Weight(kg)	32400	
Boom & Outrigger Specification	Vertical Reach(m)	56	
	Horizontal Reach(m)	51	
	Reach Depth(m)	36.6	
	Min. Unfolded Reach(m)	15.2	
	1st Section	Length(mm)	11390
		Articulation(°)	89
	2nd Section	Length(mm)	9230
		Articulation(°)	180
	3rd Section	Length(mm)	8750
		Articulation(°)	180
	4th Section	Length(mm)	11070
		Articulation(°)	240
	5th Section	Length(mm)	8080
		Articulation(°)	210
	6th Section	Length(mm)	3350
Articulation(°)		110	
Rotation(°)		±360	
Front Outrigger Spread L-R(mm)		9470	
Rear Outrigger Spread L-R(mm)		12530	
Pumping System Specification	Output (m ³ /h)	Low-Pressure	200
		High-Pressure	137
	Pressure (MPa)	Low-Pressure	8.3
		High-Pressure	12
	Max. strokes per minute (times/min)	Low-Pressure	33
		High-Pressure	22
	Delivery Cylinder Diameter(mm)		260
	Stroke Length(mm)		1900
	Hydraulic System		Open
	Hydraulic System Oil Pressure(MPa)		32
	Oil Tank Capacity(L)		610
	Water Tank Capacity(L)		600
	Pipe Diameter(mm)		125
End Hose Length(m)		3	
End Hose Diameter(mm)		125	
Chassis Specification	Chassis Brand		/
	Chassis Model		/
	Engine Type		/
	Engine Maximum Net Power		/
	Emission Standard		/
	Fuel Tank Capacity		/
	Displacement(L)		/
	Max. Speed		/

